

ACUMAX® sealed maintenance-free lead-acid battery AML series



AML 100-12

- uninterruptible power supplies
- telecom power supply systems
- telecommunication PABX
- power station
- fire and security systems
- solar powered systems
- emergency lighting systems
- cable TV

Technical data

Nominal voltage	12 V
Nominal capacity	100 Ah/ C ₂₀
Design life	8 years @ 25°C 10-12 years @ 20°C according to Eurobat, Long Life group
Weight	~ 31.3 kg
Dimensions	
Height	220 mm
Length	330 mm
Width	172 mm
Internal resistance	≤ 4.0 mΩ
Charging voltage @ 25°C	
Standby use	13.65 V ± 0.18 V
Cykle use	14.70 V ± 0.30 V
Charging current	
Recommended	10 A
Maximum	30 A
Max. discharge current (5s)	1200 A
Container material	
Standard	ABS UL 94-HB
Optional (Flame-retardant)	ABS UL 94-V0

Battery approved for transportation by air, sea or land. Classified as non-hazardous material: IATA/ICAO Special Provision A67, DOT-CFR Title 49 parts 171-189, IMDG amendment 27.

Constant current discharge (Current [A], 25 [°C] / 77 [°F])

U _k [V/cell]	Discharge time								
	10 min	15 min	20 min	30 min	1h	3h	5h	10h	20h
1,80	212	181	147	121	65,3	29,1	17,9	10,1	5,28
1,75	235	191	163	127	69,5	29,8	18,7	10,3	5,42
1,70	256	200	171	130	71,7	30,4	18,9	10,5	5,45

Constant power discharge (Power [W/cell], 25 [°C] / 77 [°F])

U _k [V/cell]	Discharge time								
	10 min	15 min	20 min	30 min	1h	3h	5h	10h	20h
1,75	449	374	319	246	150	65,4	41,6	21,7	11,1
1,70	472	388	329	252	152	65,8	41,9	21,9	11,2
1,65	489	398	335	255	153	66,1	42,2	22,2	11,4

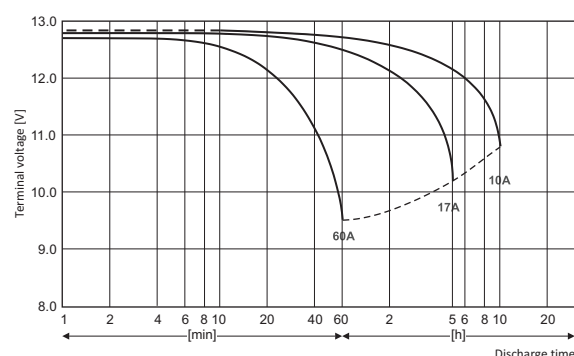
U_f - Final voltage



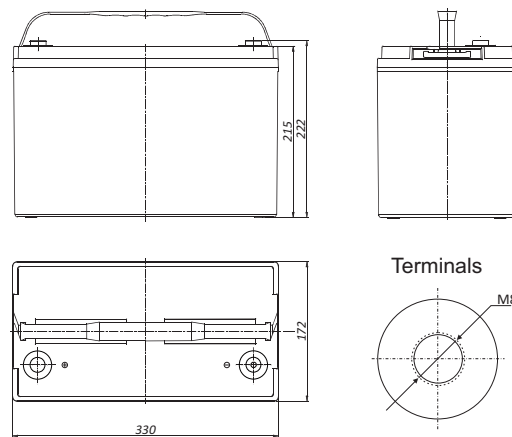
Main applications

- marine
- golf-carts, wheelchairs
- mobile and portable equipment
- medical equipment

Discharge characteristics



Dimensions



Tolerance: +/- 2mm;