

# ACUMAX® sealed maintenance-free lead-acid battery AM series



## AM 3.4-6

- uninterruptible power supplies
- telecommunication PABX
- cash registers and fiscal printers
- emergency lighting systems
- fire and security systems
- solar powered systems
- mobile and portable equipment
- lawn mowers, electrical bicycle

### Technical data

Nominal voltage	6 V
Nominal capacity	3.4 Ah/ C <sub>20</sub>
Design life	5 years @ 25°C 6-9 years @ 20°C according to Eurobat , General Purpose group
Weight	~ 0.67 kg
Dimensions	
Height	66 mm
Length	134 mm
Width	34 mm
Internal resistance	≤ 18 mΩ
Charging voltage @ 25°C	
Standby use	6.825 V ± 0.075 V
Cycle use	7.350 V ± 0.15 V
Charging current	
Recommended	0.34 A
Maximum	0.90 A
Max. discharge current (5s)	45 A
Container material	
Standard	ABS UL 94-HB
Optional (Flame-retardant)	ABS UL 94-V0

Battery approved for transportation by air, sea or land. Classified as non-hazardous material: IATA/ICAO Special Provision A67, DOT-CFR Title 49 parts 171-189, IMDG amendment 27.

### Constant current discharge (Current [A], 25 [°C] / 77 [°F])

U <sub>k</sub> [V/cell]	Discharge time										
	5 min	10 min	15 min	30 min	1h	2h	3h	4h	5h	10h	20h
1,80	9,24	6,52	5,03	2,87	1,72	0,993	0,718	0,581	0,493	0,289	0,154
1,75	10,3	7,07	5,37	3,03	1,81	1,04	0,752	0,604	0,511	0,301	0,158
1,70	11,1	7,46	5,71	3,10	1,88	1,08	0,786	0,625	0,526	0,306	0,161

### Constant power discharge (Power [W/cell], 25 [°C] / 77 [°F])

U <sub>k</sub> [V/cell]	Discharge time										
	5 min	10 min	15 min	30 min	1h	2h	3h	4h	5h	10h	20h
1,75	18,2	13,3	10,1	5,82	3,43	1,99	1,56	1,17	0,994	0,597	0,317
1,70	19,3	14,0	10,6	6,18	3,63	2,12	1,63	1,21	1,03	0,608	0,320
1,65	20,5	14,7	11,2	6,43	3,79	2,26	1,70	1,27	1,07	0,620	0,324

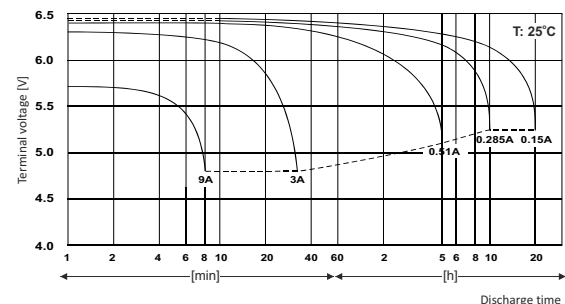
U<sub>f</sub> - Final voltage



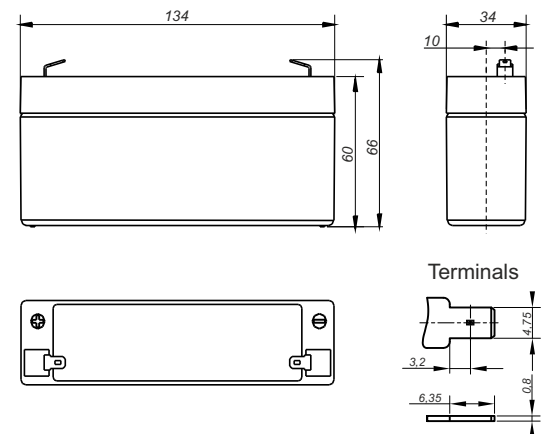
### Main applications

- medical equipment
- fishing lights
- parking meters
- toys

### Discharge characteristics



### Dimensions



Tolerance: +/- 1mm; +/- 2mm for height dimentionns