

ACUMAX® sealed maintenance-free lead-acid battery AFT series



AFT 180-12

- uninterruptible power supplies
- telecommunication PABX
- telephone exchanges
- power station
- alarm and fire protection systems
- solar powered systems
- emergency lighting systems
- cable TV

Technical data

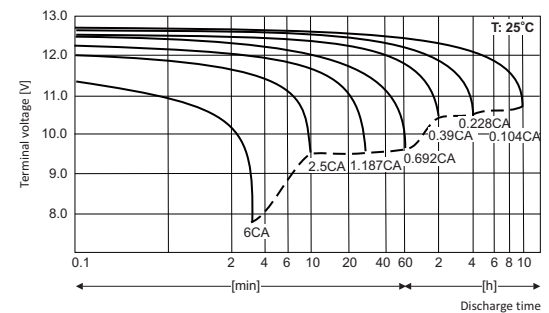
Nominal voltage	12 V
Nominal capacity	170 Ah/ C ₁₀
Design life	8 years @ 25°C 10-12 years @ 20°C according to Eurobat, Long Life group
Weight	~ 54.0 kg
Dimensions	
Height	280 mm
Length	560 mm
Width	126 mm
Internal resistance	≤ 2.9 mΩ
Charging voltage @ 25°C	
Standby use	13.65 V ± 0.15 V
Cycle use	14.70 V ± 0.30 V
Charging current	
Recommended	17 A
Maximum	54 A
Max. discharge current (5s)	1360 A
Container material	
Standard	ABS UL 94-HB
Optional (Flame-retardant)	ABS UL 94-V0

Battery approved for transportation by air, sea or land. Classified as non-hazardous material: IATA/ICAO Special Provision A67, DOT-CFR Title 49 parts 171-189, IMDG amendment 27.

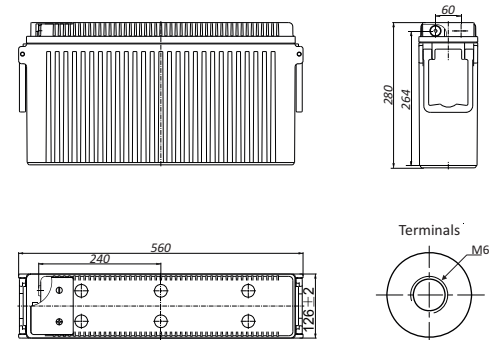
Main applications

- yachts, boats
- golf carts
- medical equipment

Discharge characteristics



Dimensions



Constant current discharge (Current [A], 25 [°C] / 77 [°F])

U _f [V/cell]	Discharge time													
	10 min	15 min	20min	30 min	45 min	1h	2h	3h	4h	5h	6h	8h	10h	20h
1,80	285,6	249,6	216,2	170,7	129,4	103,5	59,8	43,7	34,9	29,2	25,2	20,2	17,0	9,00
1,75	315,2	268,6	230,5	177,5	133,5	106,6	61,1	44,4	35,3	29,6	25,6	20,5	17,2	9,09
1,70	335,6	281,5	239,7	183,6	136,0	108,3	62,0	45,0	35,8	29,9	25,9	20,8	17,4	9,15

Constant power discharge (Power [W/cell], 25 [°C] / 77 [°F])

U _f [V/cell]	Discharge time													
	10 min	15 min	20min	30 min	45 min	1h	2h	3h	4h	5h	6h	8h	10h	20h
1,75	572,4	493,8	428,7	333,9	254,9	205,7	118,7	86,7	69,2	58,1	50,5	40,7	34,3	18,1
1,70	595,8	510,4	442,4	343,5	258,7	208,3	120,1	87,7	70,0	58,5	51,0	41,1	34,6	18,2
1,67	620,6	525,5	450,0	349,8	263,4	212,0	121,5	88,3	70,6	59,2	51,4	41,5	34,9	18,3

U_f - Final voltage

