

ACUMAX® sealed maintenance-free lead-acid battery AFT series



AFT 125-12

Sealed, maintenance free, lead-acid **ACUMAX®** batteries with a **10 - 12** years designed lifetime are made in **AGM** technology - electrolyte is absorbed in highly porous fiber glass separators placed between the plates. They use a gas recombination cycle which prevents electrolyte loss and allows the batteries to be used in rooms without forced ventilation, that are occupied by people. One-way, self-regulating pressure relief valves prevent the case from blowing up, by preventing excessive buildup of pressure in the cells.

- uninterruptible power supplies
- telecommunication PABX
- telephone exchanges
- power station
- alarm and fire protection systems
- solar powered systems
- emergency lighting systems
- cable TV

- yachts, boats
- golf carts
- medical equipment

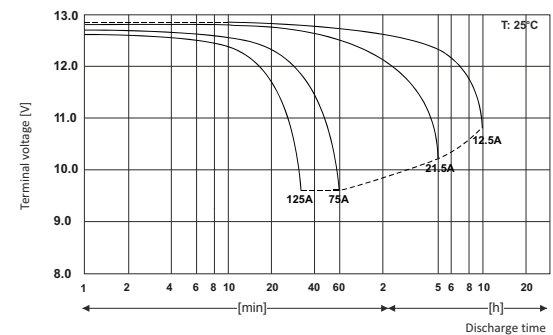
Technical data

Nominal voltage	12 V
Nominal capacity	125 Ah/ C ₁₀
Design life	8 years @ 25°C 10-12 years @ 20°C according to Eurobat, Long Life group
Weight	~ 39 kg
Dimensions	
Height	288 mm
Length	550 mm
Width	110 mm
Internal resistance	≤ 7 mΩ
Charging voltage @ 25°C	
Standby use	13.65 V ± 0.15 V
Cycle use	14.70 V ± 0.30 V
Charging current	
Recommended	12.0 A
Maximum	37.5 A
Max. discharge current (5s)	1250 A
Container material	
Standard	ABS UL 94-HB
Optional (Flame-retardant)	ABS UL 94-V0

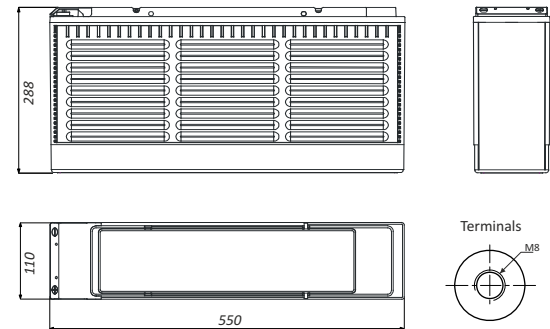
Battery approved for transportation by air, sea or land. Classified as non-hazardous material: *IATA/ICAO Special Provision A67, DOT-CFR Title 49 parts 171-189, IMDG amendment 27.*

Main applications

Discharge characteristics



Dimensions



Tolerance: +/- 2mm;

Constant current discharge (Current [A], 25 [°C] / 77 [°F])

U _F [V/cell]	Discharge time									
	15 min	30 min	1h	2h	3h	4h	5h	8h	10h	20h
1,80	188	108	75,9	42,3	30,8	24,8	21,3	15,2	12,6	6,63
1,75	213	121	77,8	44	31,9	25,7	22,1	15,6	13	6,72
1,70	226	129	79,5	45,3	32,8	26,4	22,6	15,8	13,3	6,79

Constant power discharge (Power [W/cell], 25 [°C] / 77 [°F])

U _F [V/cell]	Discharge time									
	15 min	30 min	1h	2h	3h	4h	5h	8h	10h	20h
1,75	370	220	152	85,2	65,3	52,5	44,5	31	26,3	13,5
1,70	397	236	155	87,2	66,7	53,7	45,7	31,8	27	13,8
1,67	404	240	156	87,8	67,2	54	46	32	27,2	13,9

U_F - Final voltage



All data are subject to change without notice.